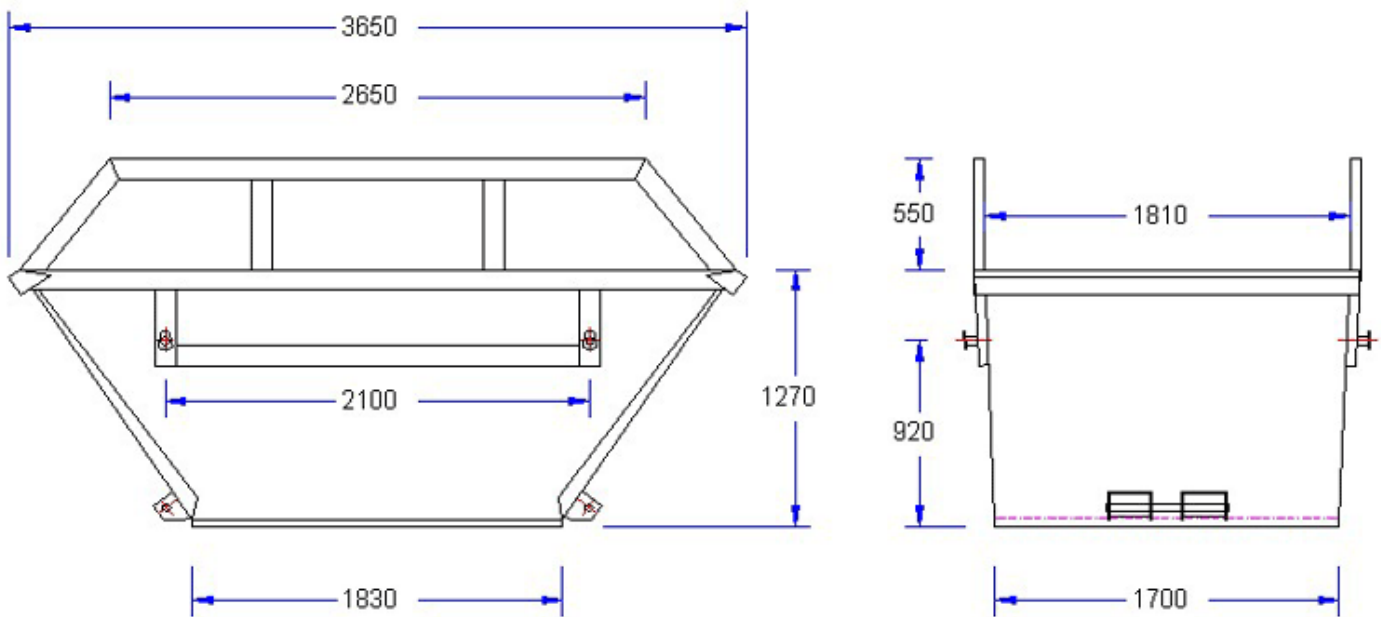


### 9m<sup>3</sup> Bin Dimensions



The 9m<sup>3</sup> skip is built the same as a standard 6m<sup>3</sup> skip except for the sides which are extended on both sides.

These extensions are manufactured from 3mm thick steel with channels to support & strengthen the sides.

The bin is open on both sides, which assists in loading and the emptying of the waste contained in the bin.

Instead of both front & back being open, either side can be closed, taking into consideration that loading & emptying the bin can only be done from one side.

9m<sup>3</sup> Skip

