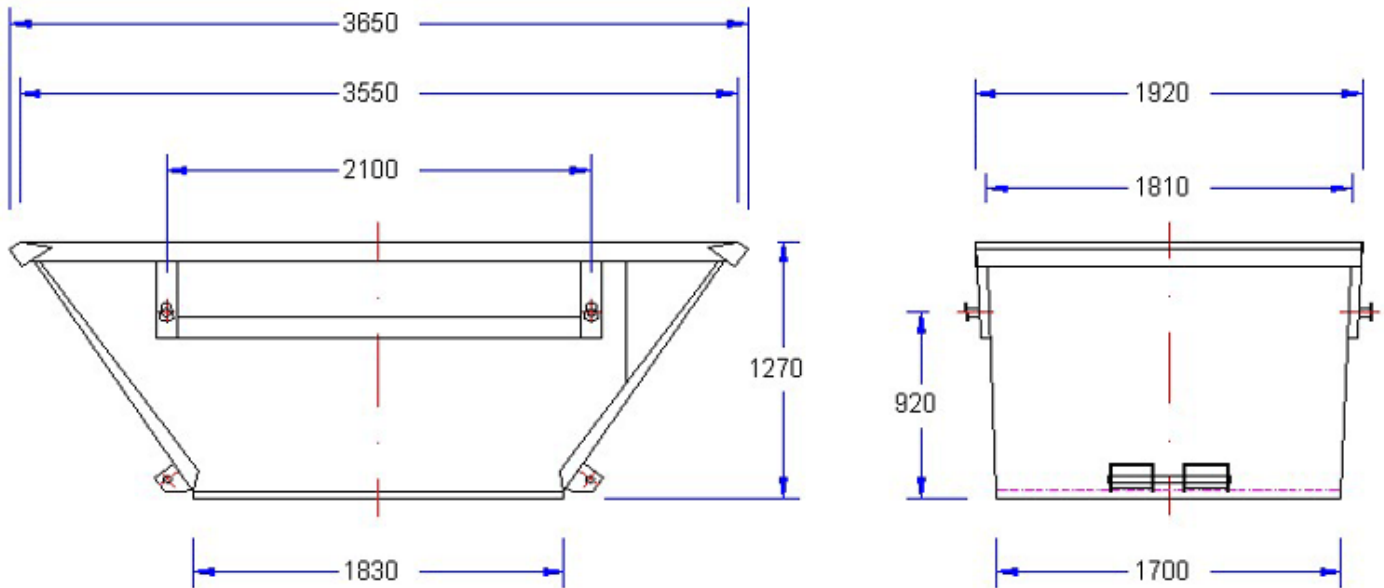


6m³ Bin Dimensions



These skips are manufactured from 4.5 mm thick Steel. The bin is built so that all the edges overlap each other which gives the bin its strength.

The floor is pressed into an IBR form, giving high strength and keeping the weight of the bin low. The front & back of the bins are tapered which allows the bins to be stacked which makes it easy to transport. The lifting lugs on the sides of the bin are forged from solid bar.

These skips can be customised to customer specifications, such as lids with lockable doors or the bin can be fully welded with no drainage gaps for the storage of wet waste etc.

6 (5.5) m³ Standard Skip

