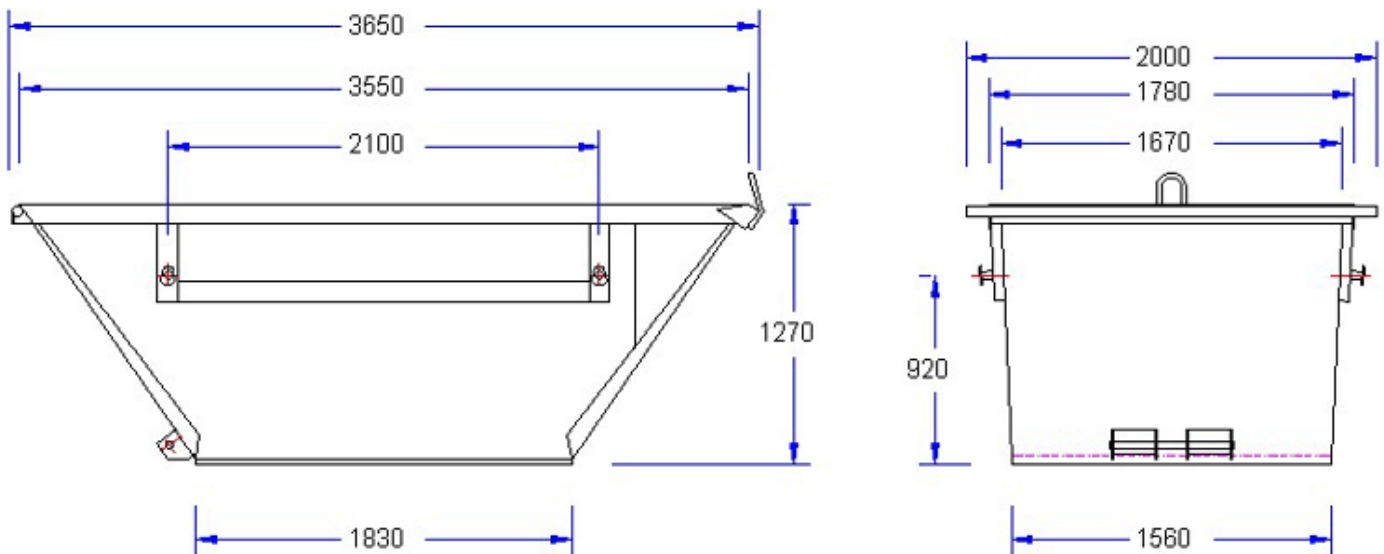


### 5.5m<sup>3</sup> REL Bin Dimensions



These skips are manufactured for use with a Rear End Loader (REL) truck.

The round bar on the one side of the skip allows the bin to pivot around this point when emptying the waste from the container into the back of the truck for compaction.

These skips are built exactly the same as the standard skip. The only difference is the addition of a 50mm diameter round bar welded to one side of the skip and a lifting ring made from 25mm diameter round bar at the opposite end.

These skips can be used either as an REL bin for compactor vehicles or alternatively as a standard bin on Lift on Luger vehicles.

5.5m<sup>3</sup> REL Skip

