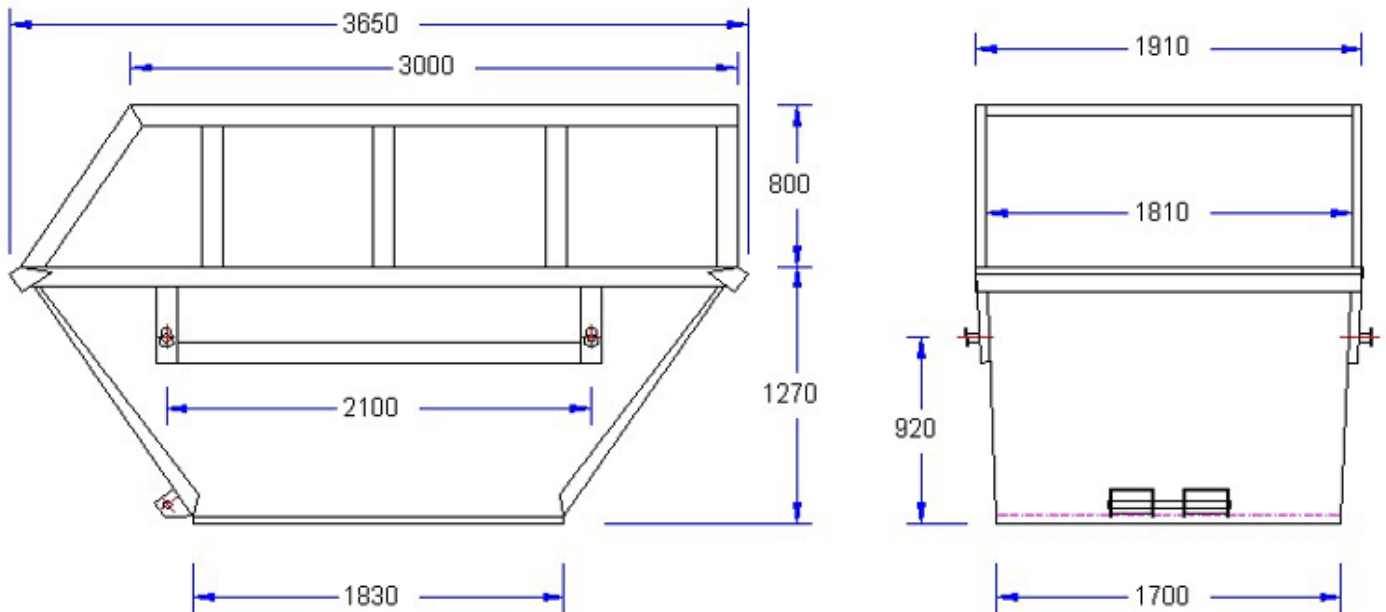


11m³ Bin Dimensions



The 11m³ skip is built the same as the 6m³ skip with the sides extended by 850mm in height and made from 3mm steel, with channels to support and strengthen the bin.

The one end is closed which makes loading and emptying the bin from one side only.

We can customise the skip bin to include being enclosed, incorporating lockable doors for safe storage of waste which may be of a toxic or confidential nature.

11m³ Skip

